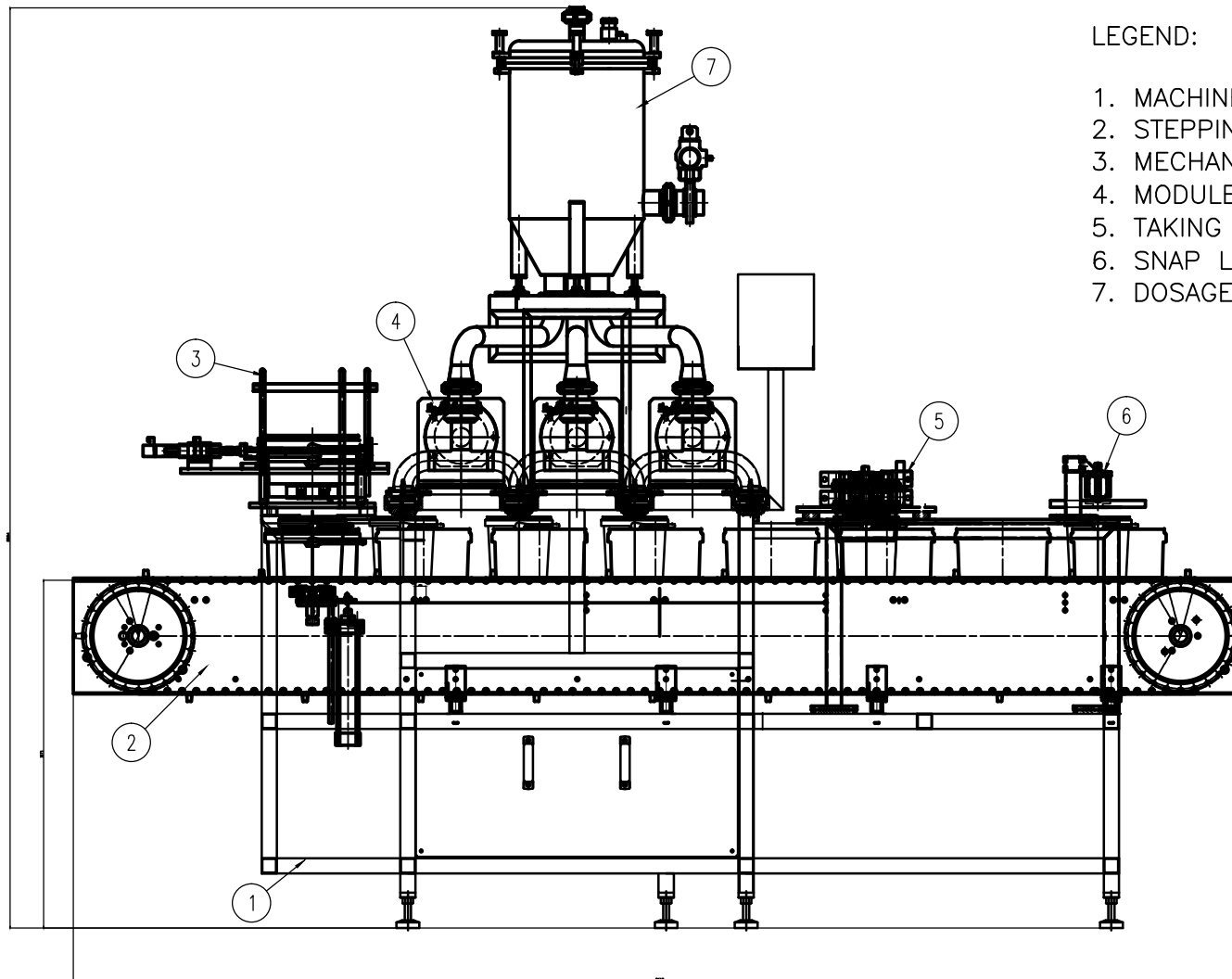


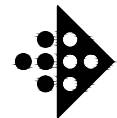
DOZOPAK 1000 UP – 5L



LEGEND:

1. MACHINE ARMOUR
2. STEPPING DOUBLE ROW CONVEYOR
3. MECHANISM FOR TAKING VESSEL
4. MODULE FOR DOSAGE
5. TAKING LIDS
6. SNAP LIDS PUSHERS
7. DOSAGE CONTAINER

DIMENSIONS OF MACHINE: 3087 x 1150 x 2422



PAK PROMET
Kragujevac