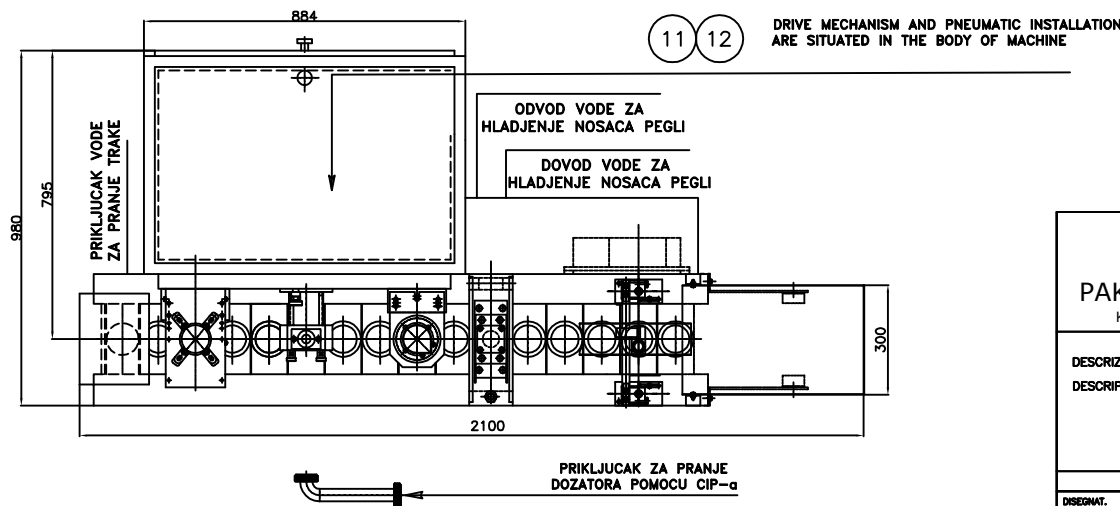



- 1/ BODY OF MACHINE
- 2/ CONVEYOR
- 3/ MECHANISM FOR TAKING CUPS
- 4/ DOSING MODUL
- 5/ MECHANISM FOR TAKING LIDS
- 6/ THERMOWELD WITH DATE STAMP
- 7/ CUP LIFTER
- 8/ CUP REMOVE
- 9/ RECEPTION TABLE FOR CUPS
- 10/ DATING
- 11/ DRIVE MECHANISM
- 12/ PNEUMATIC INSTALLATION
- 13/ ELECTRICAL INSTALATION WITH COMMAND BOARD



 <b>PAK PROMET</b> KRAGUJEVAC		KLIJENT CUSTOMER	UGOVOR – ORDER		
		TITOLO TITLE	<b>MONOPAK 1500-02</b>		REV.
DESCRIZIONE DESCRIPTION		<b>DISPOSITION OF MACHINE</b>			
DISEGNAT. DRAFTSMAN	FIRMA FIRMA	DATA DATE	SCALA SCALE	CRTEZ BR. DRAWING N°	REV.
CONTR. INSPECTOR				LIST BR. Sheet n°	LISTOVA Follow sheet n°
ULT.REV. LAST REVS.					