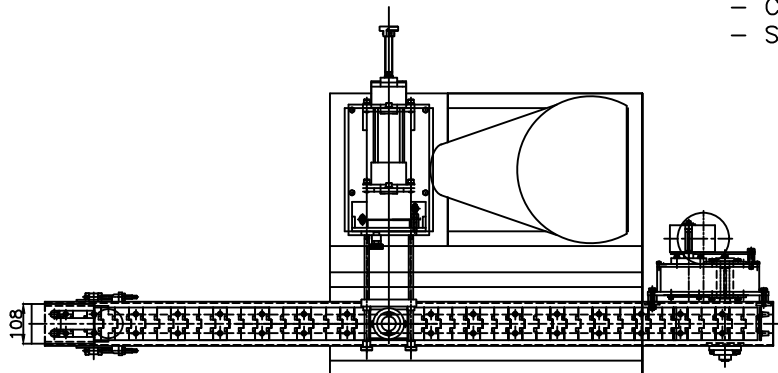
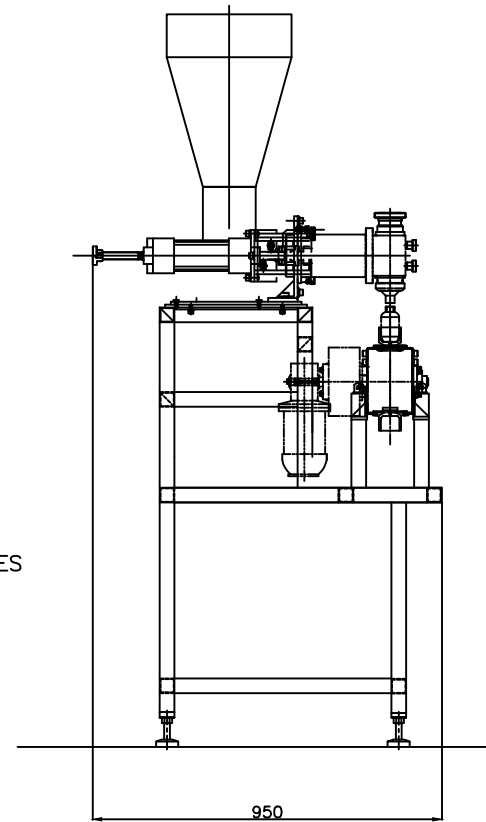


LEGEND:

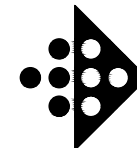
1. DOSER
2. TAKING LIDS
3. SCREWING LIDS
4. DATEING
5. TRANSPORTER FOR BOTTLES

CHARACTERISTICS OF MACHINE:

- PISTON DOSING
- TACT MOVING OF TRANSPORTER
- STAMP INK DATE
- PROCESSORS CONTROL UNIT
- CAPACITY : 1000 PCS/H
- SIZE OF PACKING ; 100 ml TO 250 ml



SEBOPAK 1000 01



PAK PROMET
Kragujevac